

# SPX4-NI

# SPX4 for no-identified lock on hinged landing door

To replace :  
No identified lock

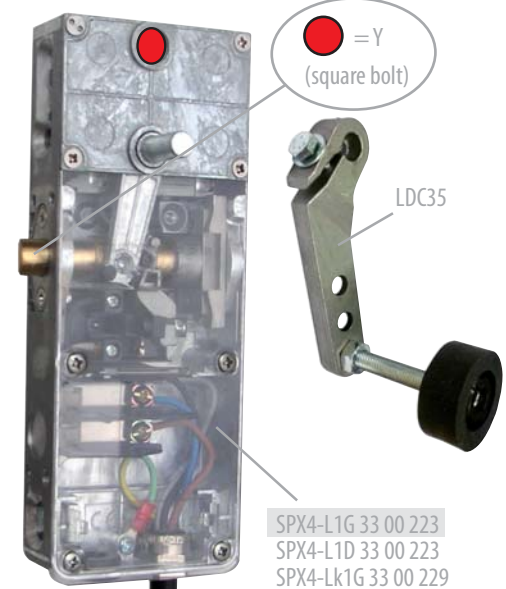
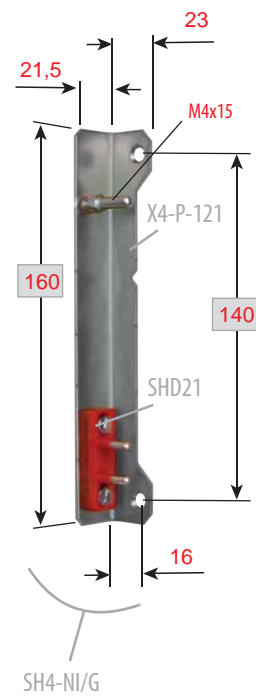


Substitution :

SPX4-NI/\*D (right) (prudhomme S.a.)

SPX4-NI/\*G (left)

Option :  
CP/SPX4/NI/G (drilling gauge)  
CP/DV/SPX4/NI (drilling gauge)



- SPX4-L1G 33 00 223
- SPX4-L1D 33 00 223
- SPX4-Lk1G 33 00 229
- SPX4-Lk1D 33 00 229
- SPX4-P1G 33 00 123
- SPX4-P1D 33 00 123

\* = Lk or L or P (Parallel or Perpendicular)

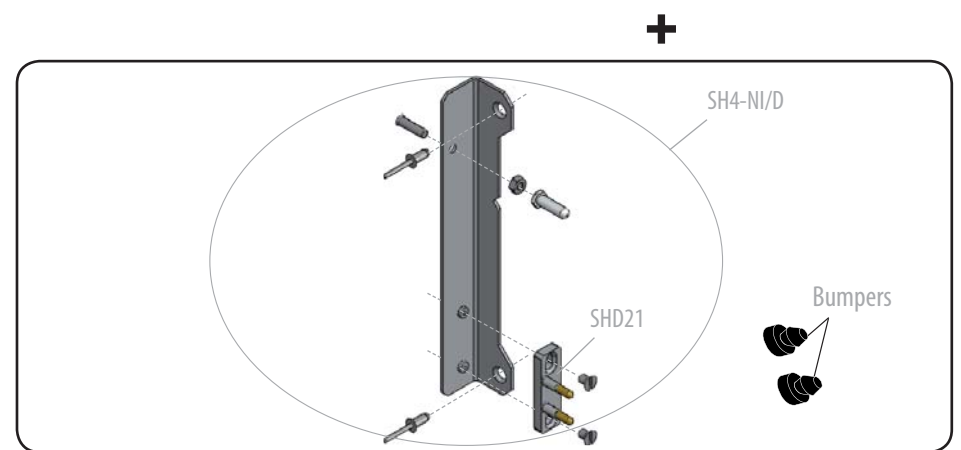
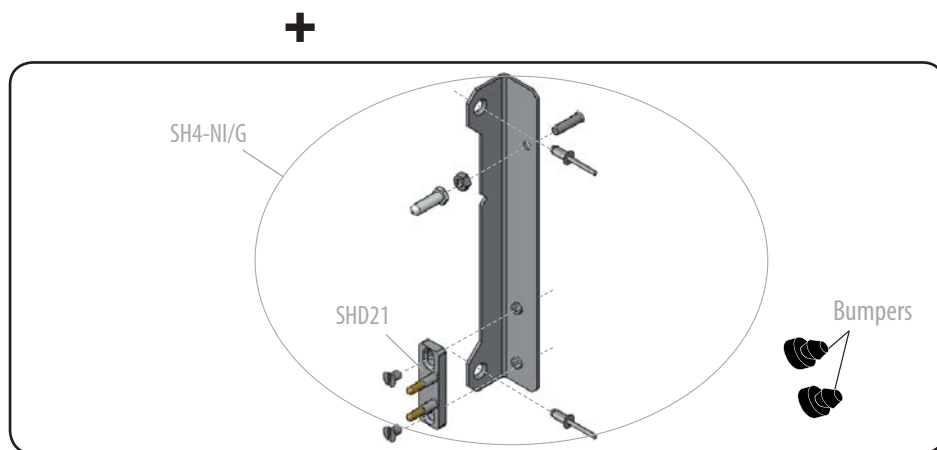
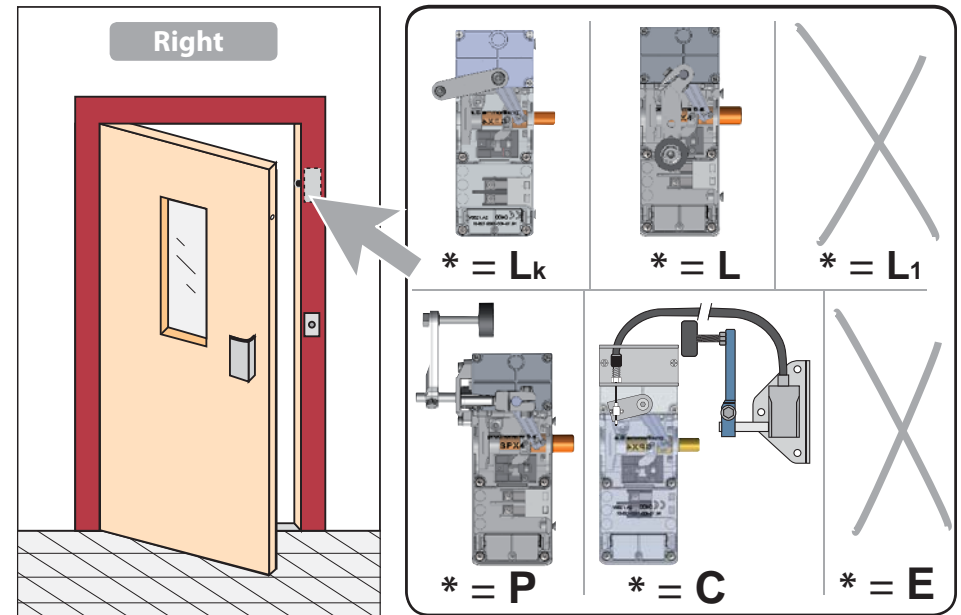
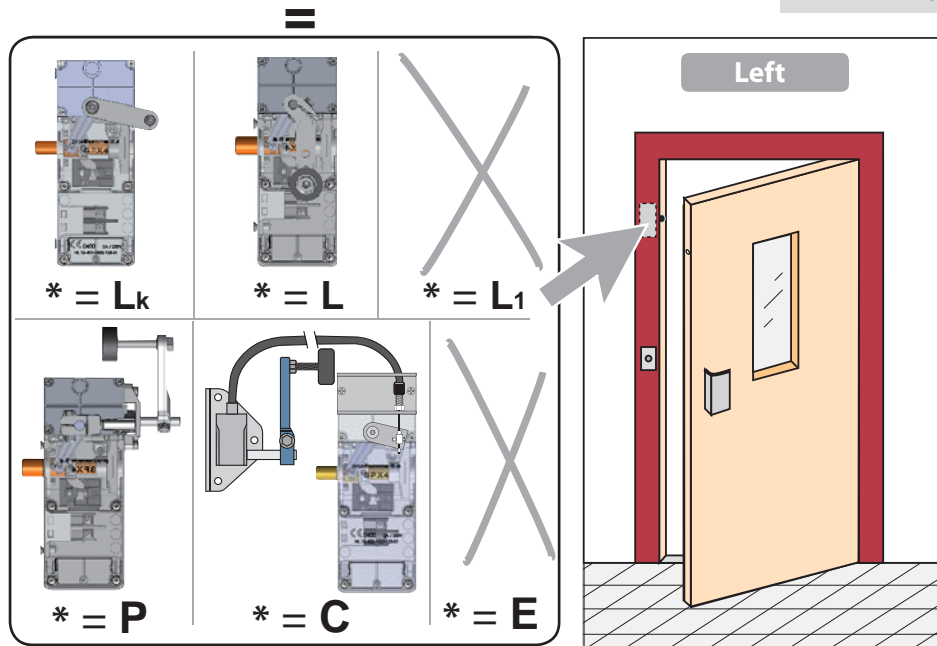
# SPX4 for no identified lock on hinged landing door

## SPX4-NI

réf. : SPX4-NI/\*G

réf. : SPX4-NI/\*D

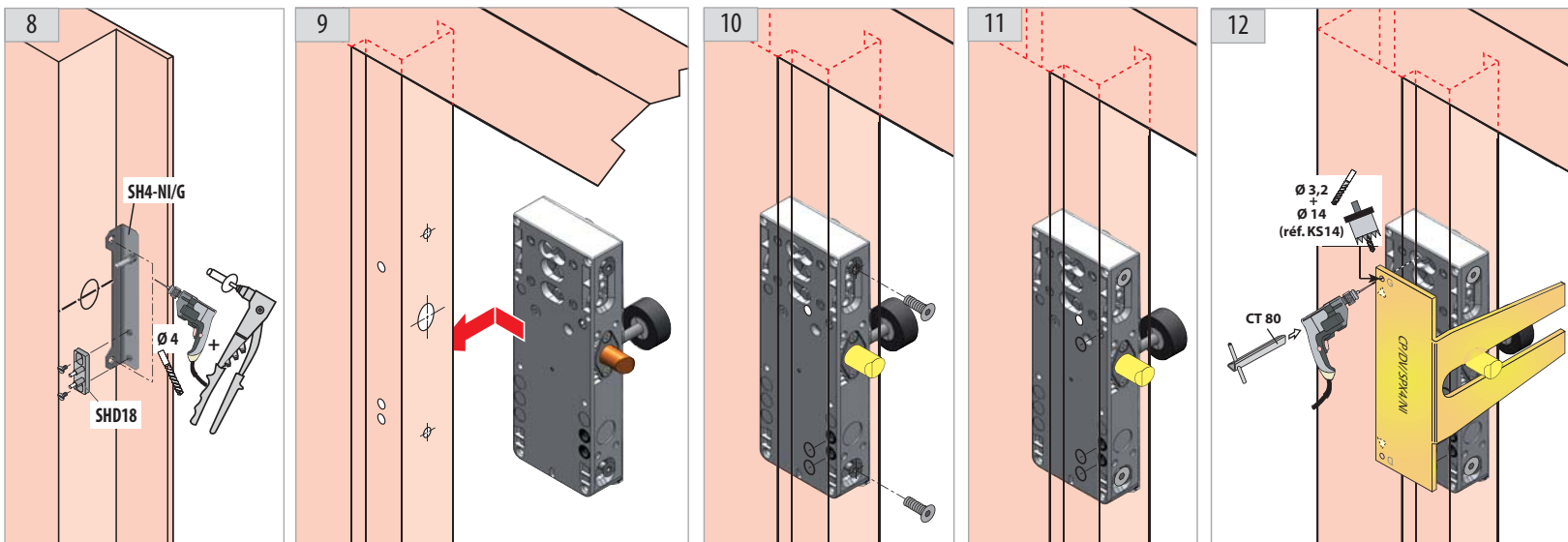
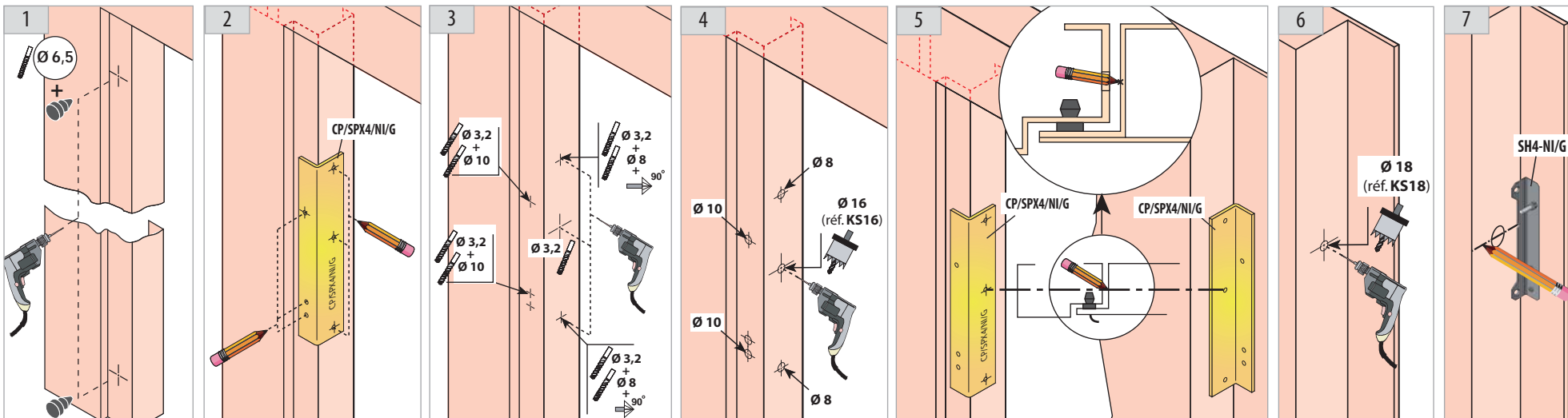
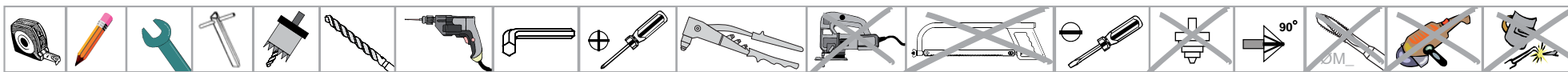
\* = Lk or L or P (Parallel or Perpendicular)



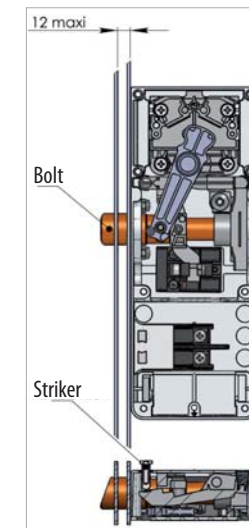
# SPX4-NI

# SPX4 for no identified lock on hinged landing door

## Mounting stages



## Information



40a 502 SETTING UP THE UNIT

For hinged landing doors

